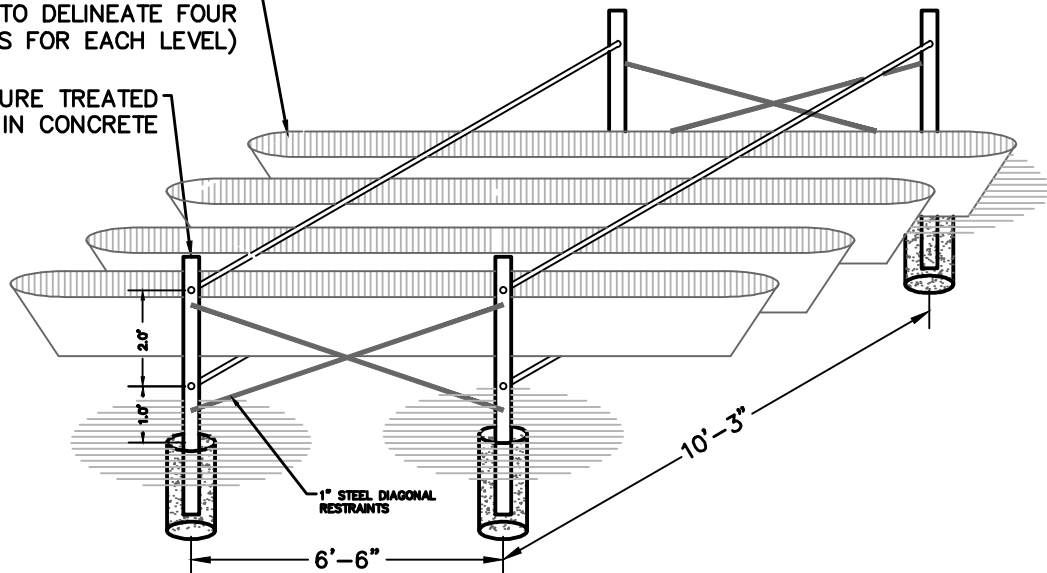


1½" STEEL WITH PVC SLEEVES
(2" DIA PVC, 2.5' LENGTH
SECTIONS ALTERNATING BLACK
AND WHITE TO DELINEATE FOUR
BOAT SPACES FOR EACH LEVEL)

5" DIA PRESSURE TREATED
POSTS SET IN CONCRETE



TYPICAL SEASONAL BOAT STORAGE RACK
(CAPACITY = 4 BOATS/LEVEL)



TYPICAL SHORT TERM BOAT STORAGE



TYPICAL GRAVEL ACCESS PATH

SIERRA LAKES
COUNTY WATER
DISTRICT

LAKE ACCESS
DETAILS

24 FEBRUARY 2014