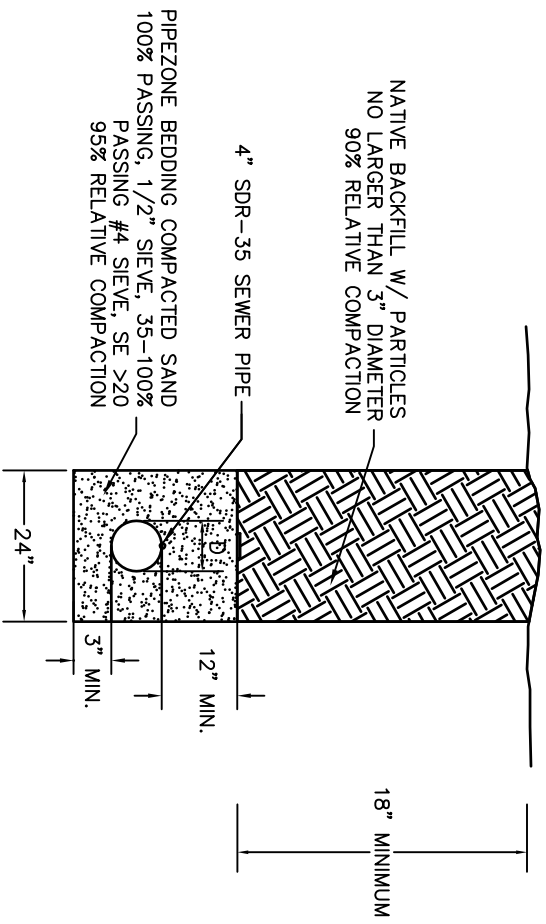
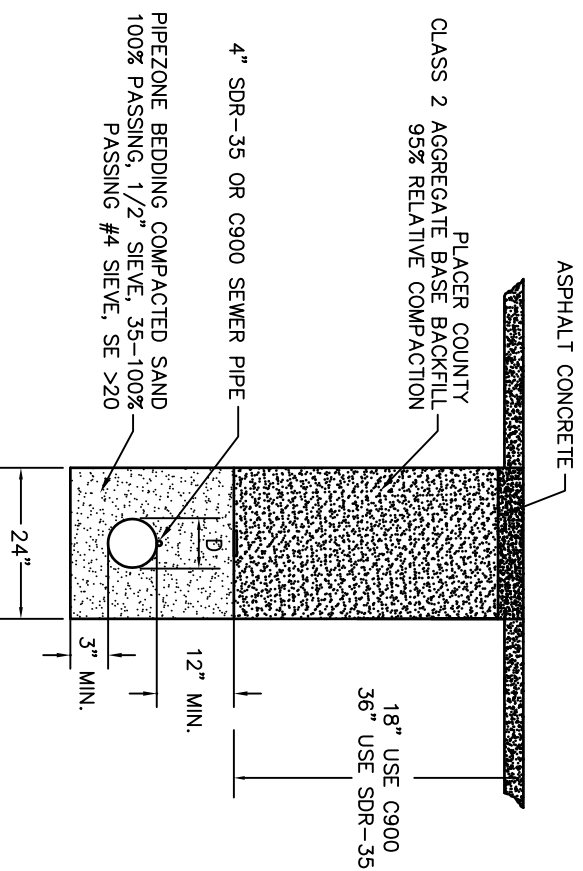


NON TRAFFIC AREAS



PAVED AREAS



SIERRA LAKES
COUNTY WATER
DISTRICT

RESIDENTIAL
SEWER TRENCH

SEPTEMBER 12, 2008

FIGURE 3