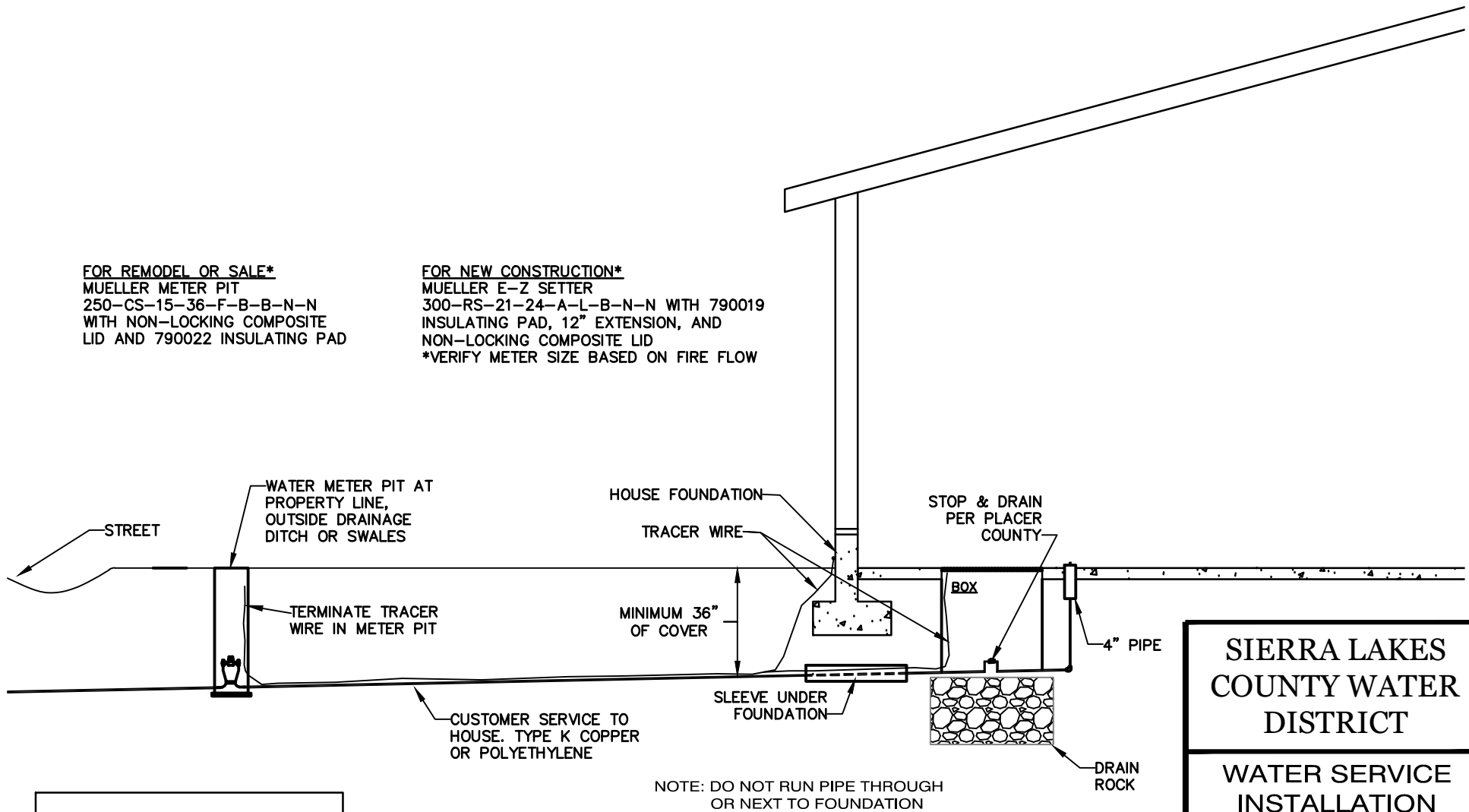


FOR REMODEL OR SALE*
MUELLER METER PIT
250-CS-15-36-F-B-B-N-N
WITH NON-LOCKING COMPOSITE
LID AND 790022 INSULATING PAD

FOR NEW CONSTRUCTION*
MUELLER E-Z SETTER
300-RS-21-24-A-L-B-N-N WITH 790019
INSULATING PAD, 12" EXTENSION, AND
NON-LOCKING COMPOSITE LID
*VERIFY METER SIZE BASED ON FIRE FLOW



NOTE: WITHIN 36-INCHES OF PAVEMENT PLACE PIT OR METER YOKE IN CHRISTY B2436 TRAFFIC RATED BOX AND B2436-62JH LID

SIERRA LAKES COUNTY WATER DISTRICT
WATER SERVICE INSTALLATION
MAY 23, 2016

FIGURE 1

LATERAL CLEANOUT
ASSEMBLY AT PROPERTY LINE
ALL CLEANOUT BOXES TO BE
G-5 WITH METAL LID

STREET

CHRISTY N30 BOX
WITH EXTENSIONS AND
CHECKER PLATE LID

5' MAXIMUM

PROVIDE 6" SLEEVE IN STEM
WALL OR UNDER FOOTING TO
PROTECT PIPE FROM
CRUSHING/SETTLEMENT.

TRACER WIRE
TERMINATES IN
CLEANOUTS

4" SEWER SERVICE
WITH TRACER WIRE

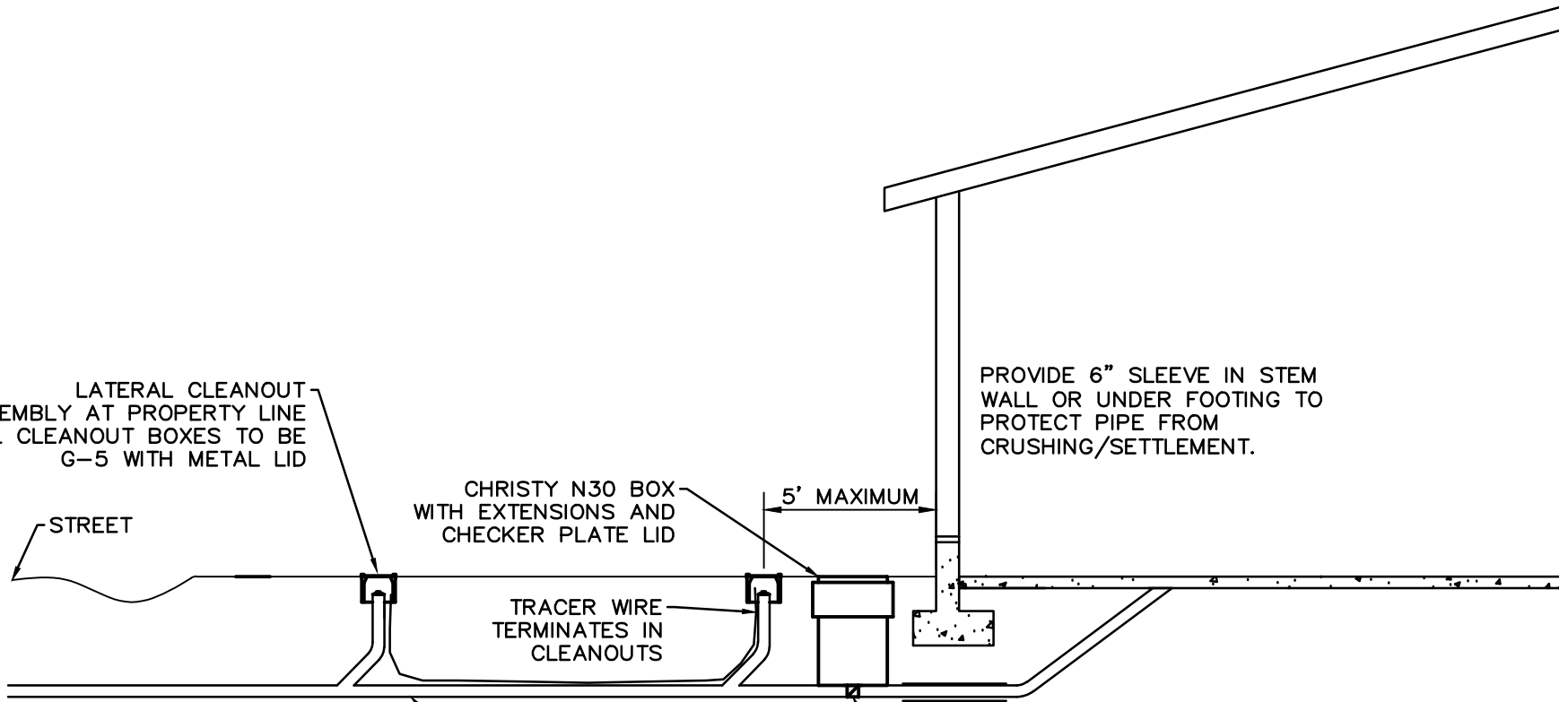
4" BACKWATER VALVE
(IF REQUIRED BY LOCATION)

SIERRA LAKES
COUNTY WATER
DISTRICT

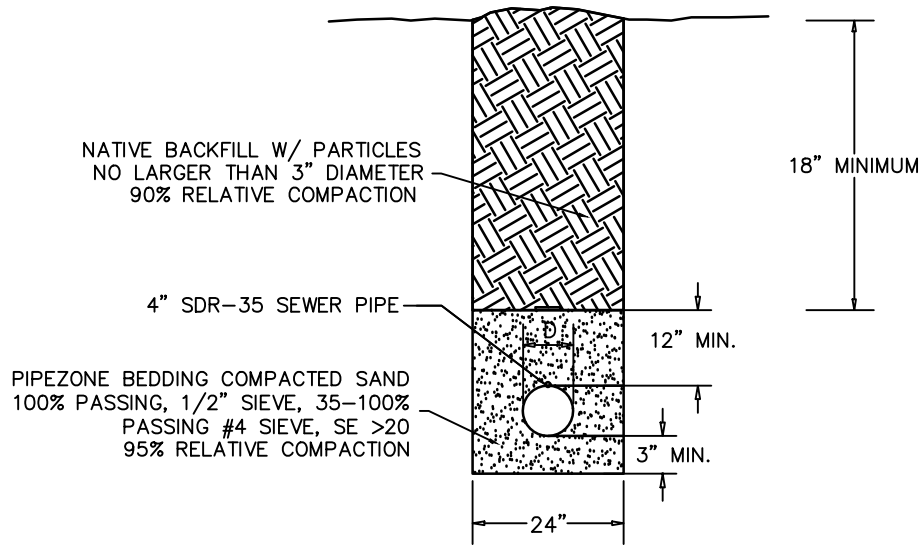
SANITARY SEWER
SERVICE
INSTALLATION

MAY 23, 2016

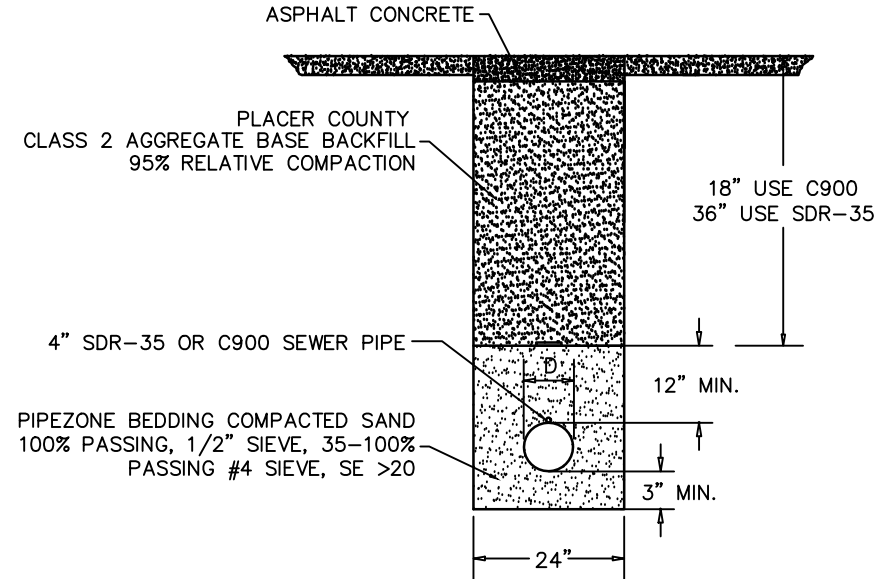
FIGURE 2



NON-TRAFFIC AREAS



PAVED AREAS

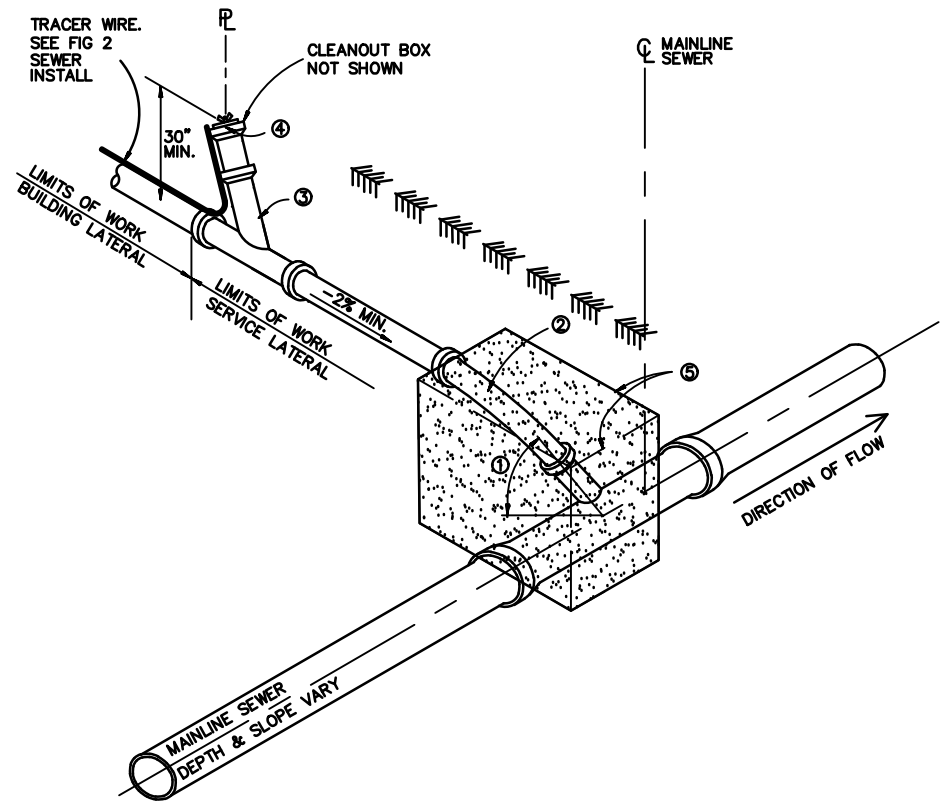
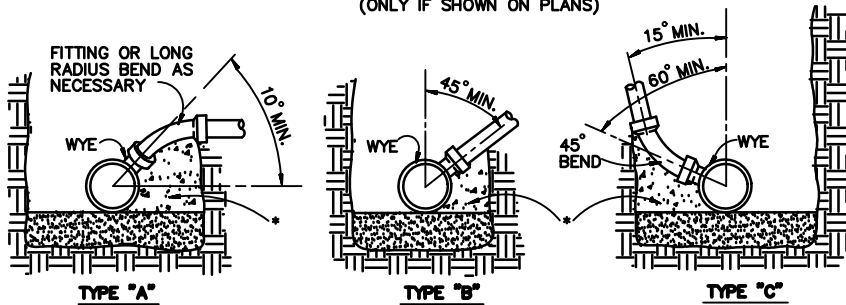
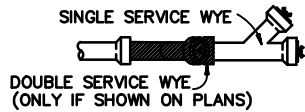
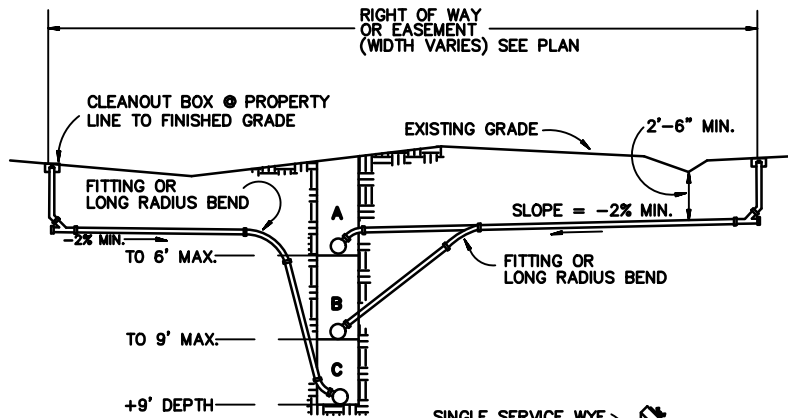


SIERRA LAKES
COUNTY WATER
DISTRICT

RESIDENTIAL
SEWER TRENCH

MAY 23, 2016

FIGURE 3



NOTES:

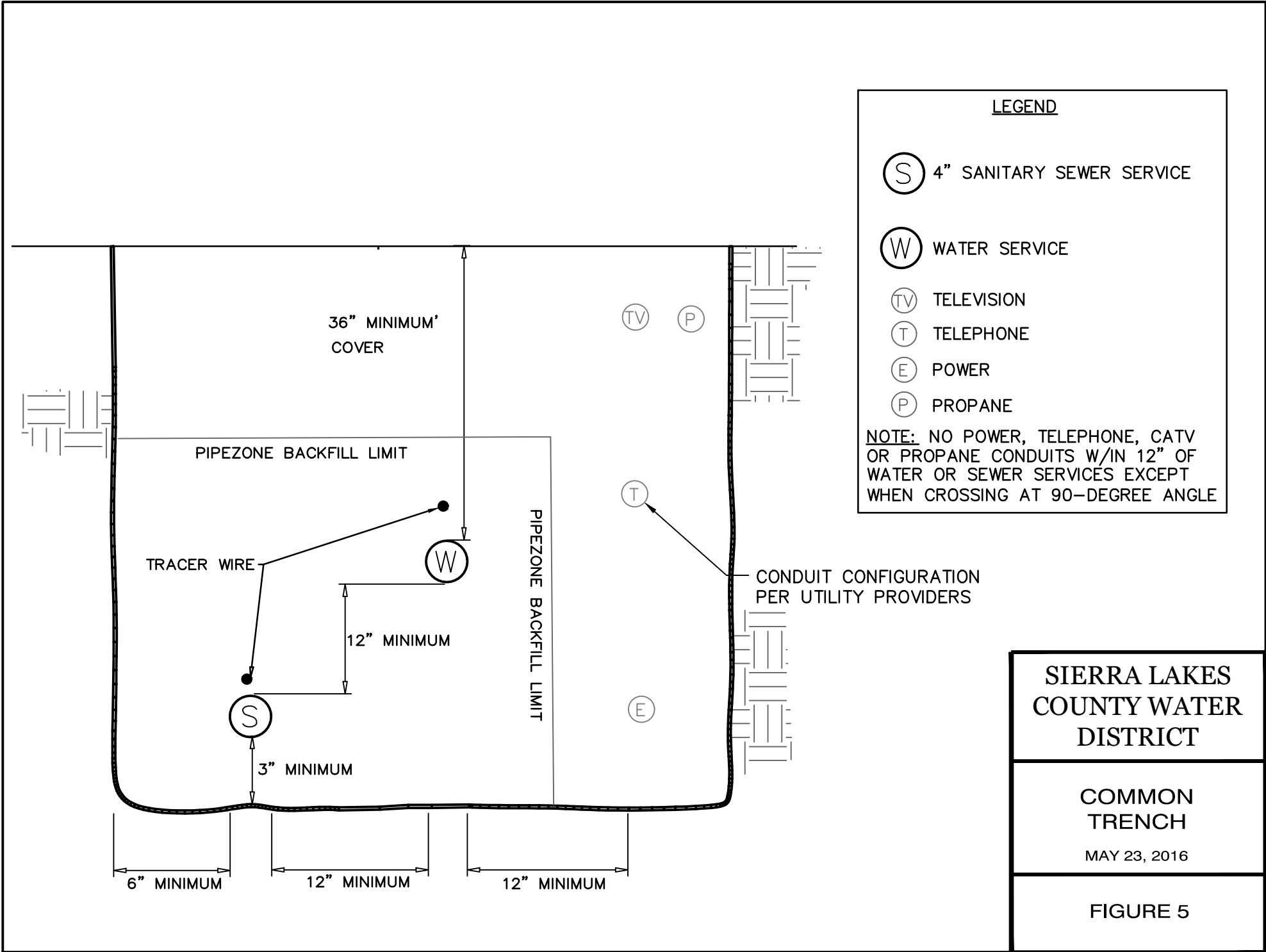
- ① 10° MIN. FOR WYE LATERAL CONNECTION
- ② FITTING OR LONG RADIUS BEND
- ③ SERVICE WYE WITH PIPE EXTENSION TO GRADE
- ④ WATERTIGHT END PLUG (EASILY REMOVABLE)
- ⑤ PLACE WELL COMPACTED BEDDING MATERIAL 18" UNDER WYE BRANCH, FITTING, AND UNSUPPORTED PIPE. WHEN BEDDING MATERIAL IS USED, PLACE ADDITIONAL MATERIAL TO TOP OF BEND, THE FULL WIDTH OF TRENCH.

SIERRA LAKES
COUNTY WATER
DISTRICT

LATERAL AND
CLEANOUT
ASSEMBLY

MAY 23, 2016

FIGURE 4



LEGEND

- (S) 4" SANITARY SEWER SERVICE
- (W) WATER SERVICE
- (TV) TELEVISION
- (T) TELEPHONE
- (E) POWER
- (P) PROPANE

NOTE: NO POWER, TELEPHONE, CATV OR PROPANE CONDUITS W/IN 12" OF WATER OR SEWER SERVICES EXCEPT WHEN CROSSING AT 90-DEGREE ANGLE

<p>SIERRA LAKES COUNTY WATER DISTRICT</p>
<p>COMMON TRENCH</p> <p>MAY 23, 2016</p>
<p>FIGURE 5</p>